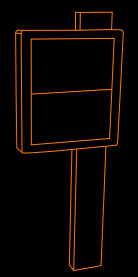


# Flag Double Kiosk

## Datasheet

Welcome to NCOM



# Flag Double

Interactivity with dimension

## Technical Specifications Flag Double Kiosk

Dimensions: H3315 x W1250 x D350  
Weight: aprox. 180 Kg.

The FlagV2 Double model was designed specially for outdoor applications.

This model can be manufactured in stainless steel or painted steel (available in all RAL colors) using steel plate of 1,5mm to 2,5mm which ensures the stability and rigidity of the all structure.

This Kiosk is designed specially for multimedia advertising purposes and support large displays (32" to 108").

The two sides of the kiosk are designed so that there is a great versatility.

*Optional - 4 large advertising displays, two in each side / 2 large advertising display and 2 interactive display.*

The area where the PC will be installed has security locks, general switch and is easily detachable, leaving enough space for the installation and access to a minitower PC.

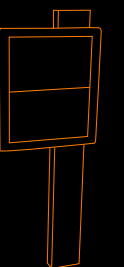
On the side of the monitor are two speakers and the kiosk has 2 independent systems of ventilation, one for the monitor and other for the PC.

The FlagV2 Double is normally equipped with a Atom CPU with a 160 GB hard drive, 1 Gb Ram Memory, a 128Mb graphic card and a 10/100 mb ethernet, Windows 7 Starter.

This kiosk can be produced with glass protection (top and 2 laterals) for outdoor environments.

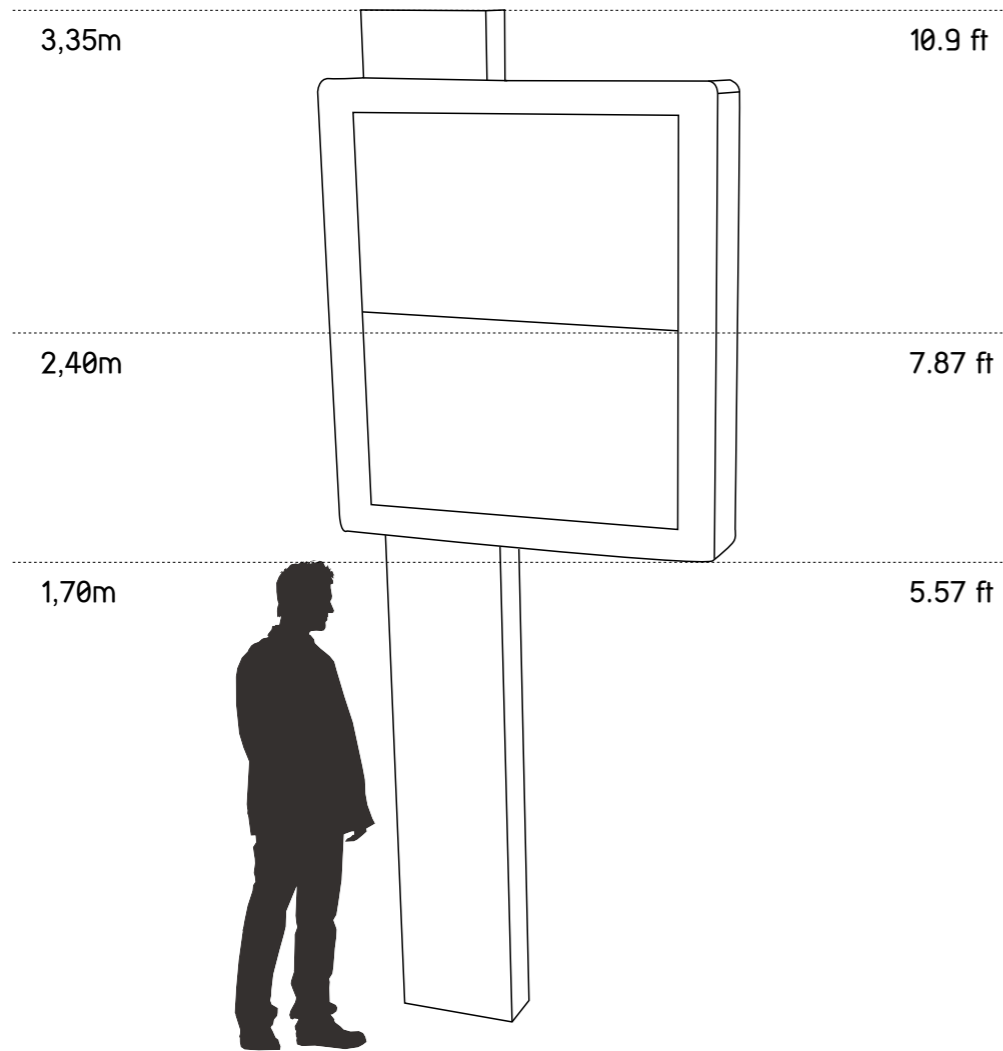


Flag Double  
Interactivity with dimension



# Flag Double

Distance comparison and main features



## Type

Indoor / Outdoor

## Materials

Painted Steel

Stainless Steel

## Options

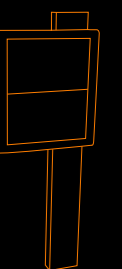
Large Displays 17" to 103"

YdSignage Software

Double Face Displays  
(Touchscreen or TFT)

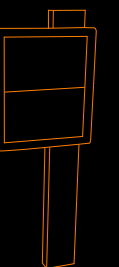
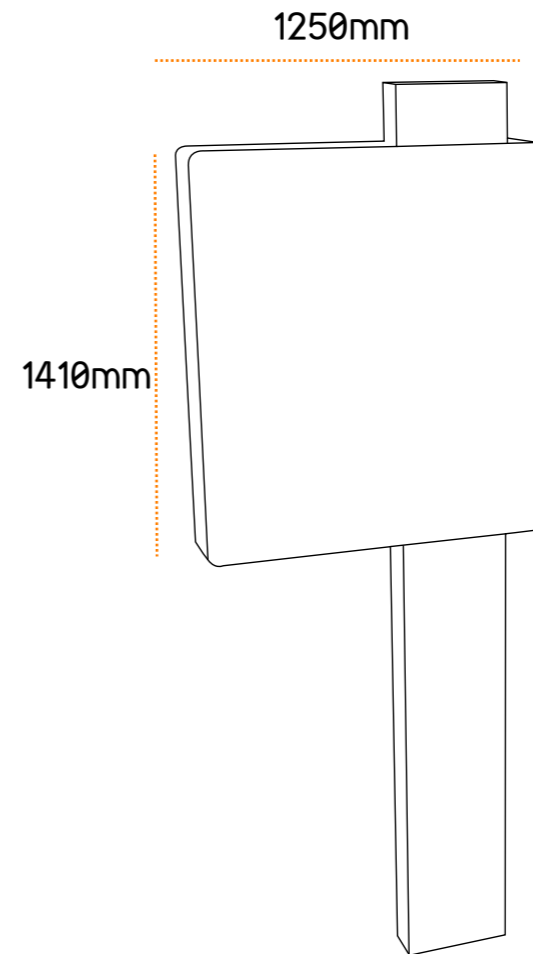
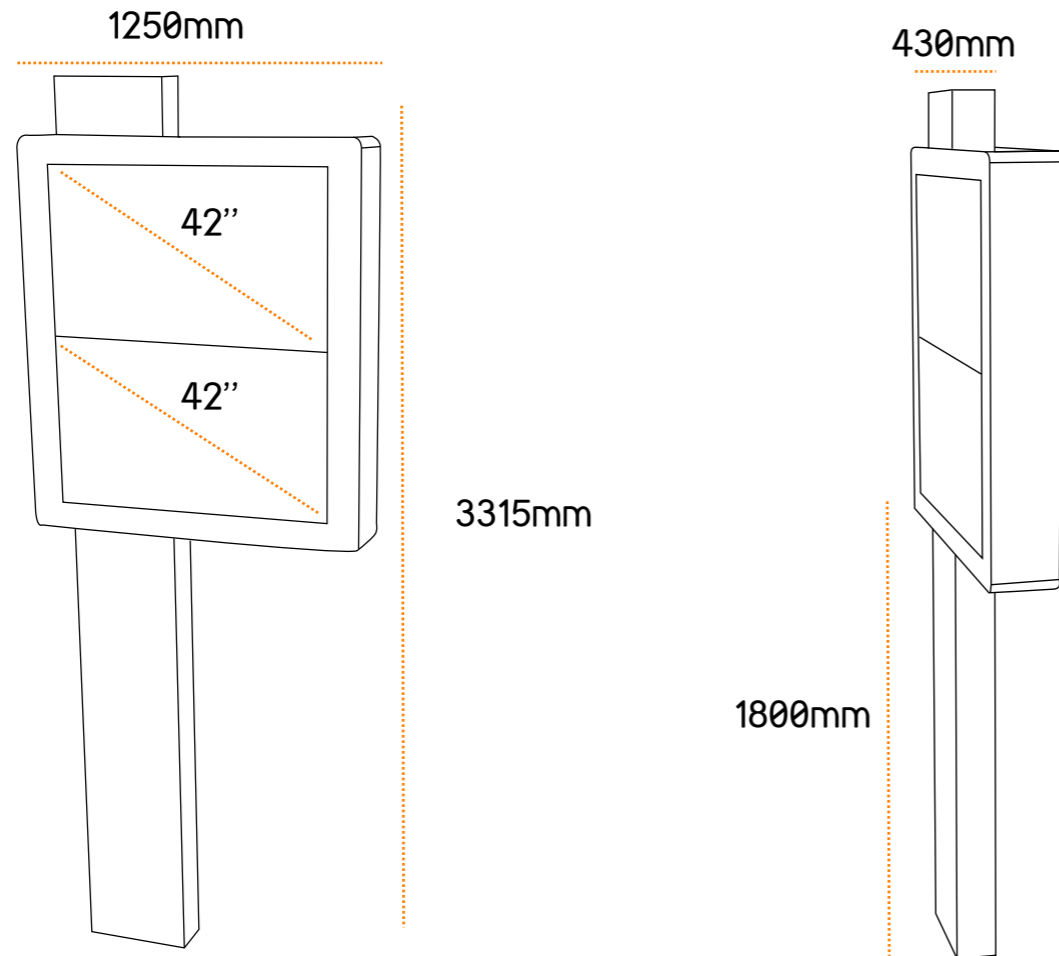
Glass Protection

Flag Double  
Distance comparison and main features



# Flag Double

Interactivity with dimension



# Flag Double

Technical data

---

## Dimensions:

- 2 x 42" Display (resolution: 1920x 1080 Pixel)
- H3315 W1250 D430

## Weight:

180 kg

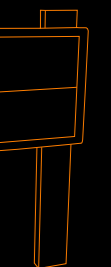
## Configuration:

- Interactivity with dimension
- Stainless steel AISI304 or painted steel (RAL Colors)
- Steel plate of 1,5mm to 2,5mm
- 2 x 42" display
- Integrated speakers

## Optional:

- 46" to 108" display
- Atom or Dual Core PC computer
- Microsoft Windows 7 Professional
- Ykiosk software package
- Touch screen (SAW - antivandalism)
- Wireless networking - WLAN
- Bluetooth functionality
- Webcam
- 2 side displays

• Other components can be integrated changing kiosk dimensions: ticket printer, coin validator, bill validator, card readers, antivandalic keyboard, proximity sensor, etc.



# NCOM | innovative solutions

This document is provided only for information purposes. The presented information is subject to change without prior notice, given the constant evolution of content.  
NCOM is not responsible for any errors or omissions in this document, based on the information it contains, as a result of its publication.

