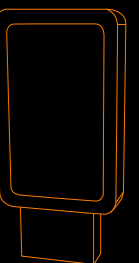


FlagV3 Kiosk

Datasheet

Welcome to NCOM

ncom
innovative solutions



FlagV3

Interactivity with dimension

Technical Specifications FlagV3 Kiosk

Dimensions: H2500 x W1200 x D350
Weight: aprox. 150 Kg.

The FlagV3 model was designed specially for outdoor applications.

This model can be manufactured in stainless steel or painted steel (available in all RAL colors) using steel plate of 1,5mm to 2,5mm which ensures the stability and rigidity of the all structure.

This Kiosk is designed specially for multimedia advertising purposes and support large displays (32" to 108").

The two sides of the kiosk are designed so that there is a great versatility.

Optional - 2 large advertising displays, one in each side / 1 large advertising display and 1 interactive display in other side.

The area where the PC will be installed has security locks, general switch and is easily detachable, leaving enough space for the installation and access to a minitower PC.

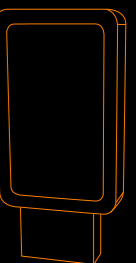
On the side of the monitor are two speakers and the kiosk has 2 independent systems of ventilation, one for the monitor and other for the PC.

The FlagV3 is normally equipped with a Atom CPU with a 160 GB hard drive, 1 Gb Ram Memory, a 128Mb graphic card and a 10/100 mb ethernet, Windows 7 Starter.

This kiosk can be produced with glass protection (top and 2 laterals) for outdoor environments.

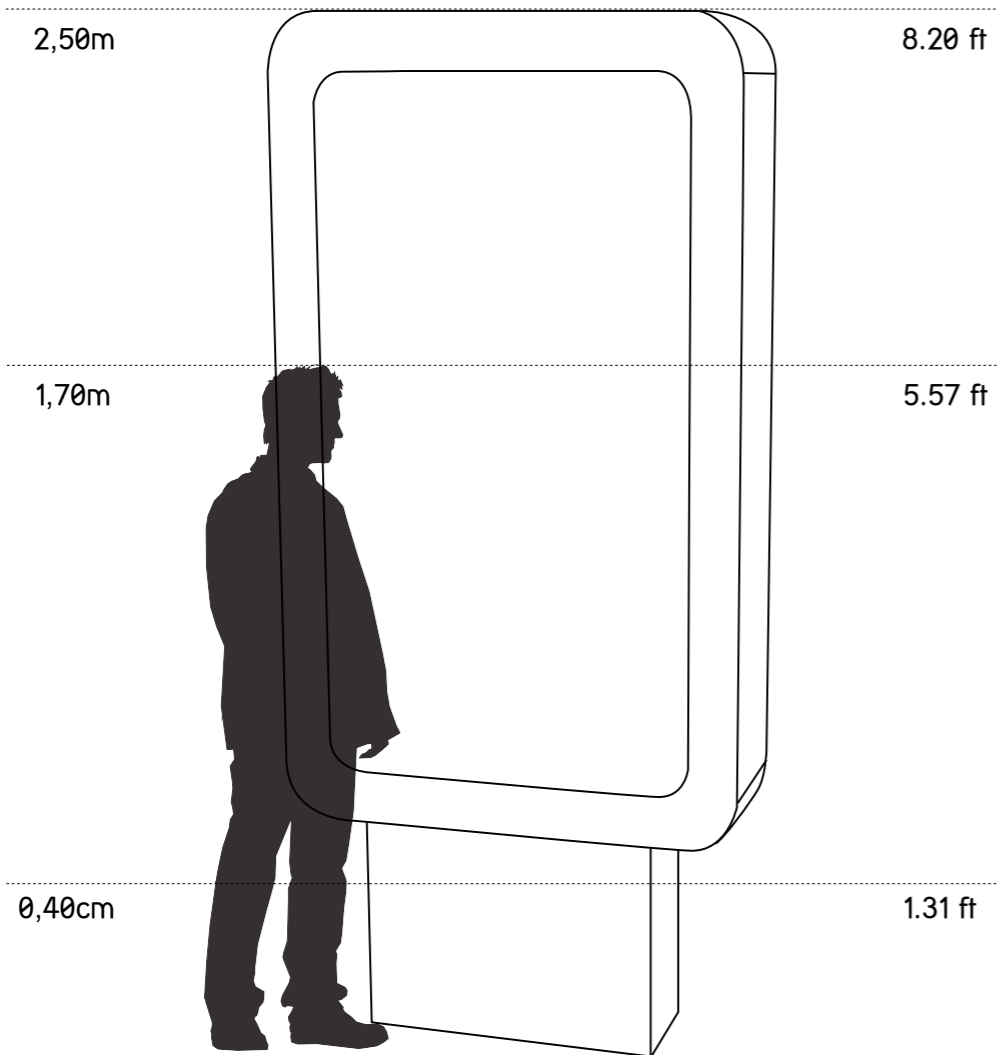


FlagV3
Interactivity with dimension



FlagV3

Distance comparison and main features



Type

Indoor / Outdoor

Materials

Painted Steel

Stainless Steel

Options

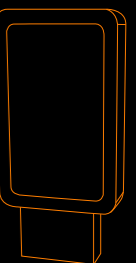
Large Displays 17" to 103"

YdSignage Software

Double Face Displays
(Touchscreen or TFT)

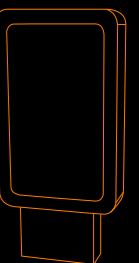
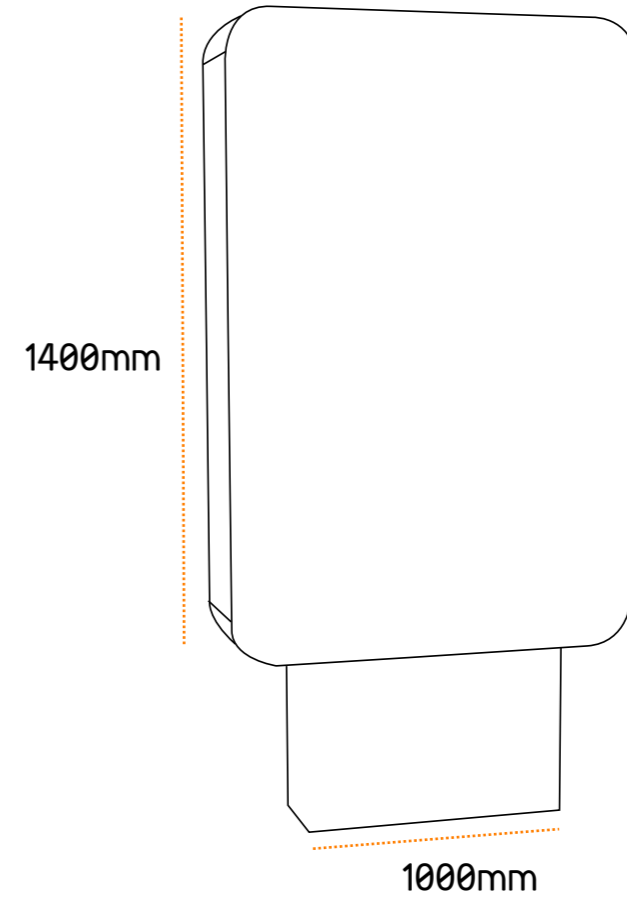
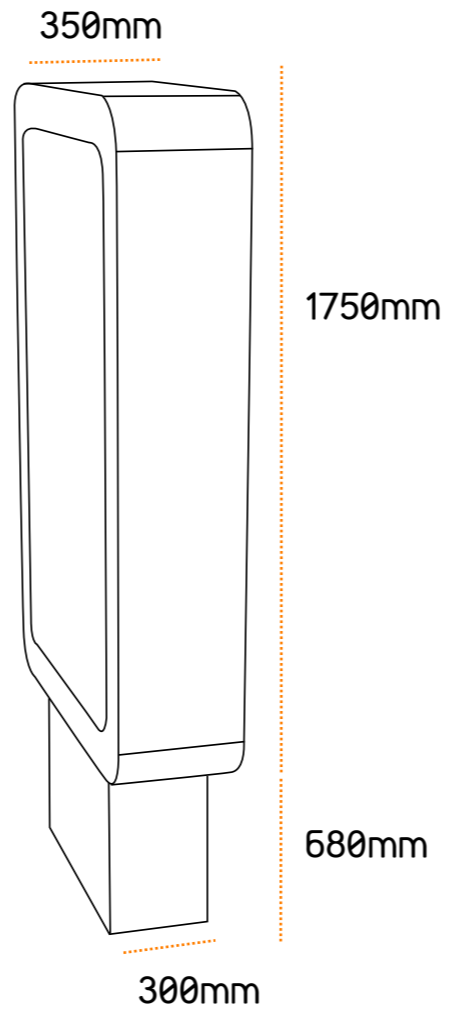
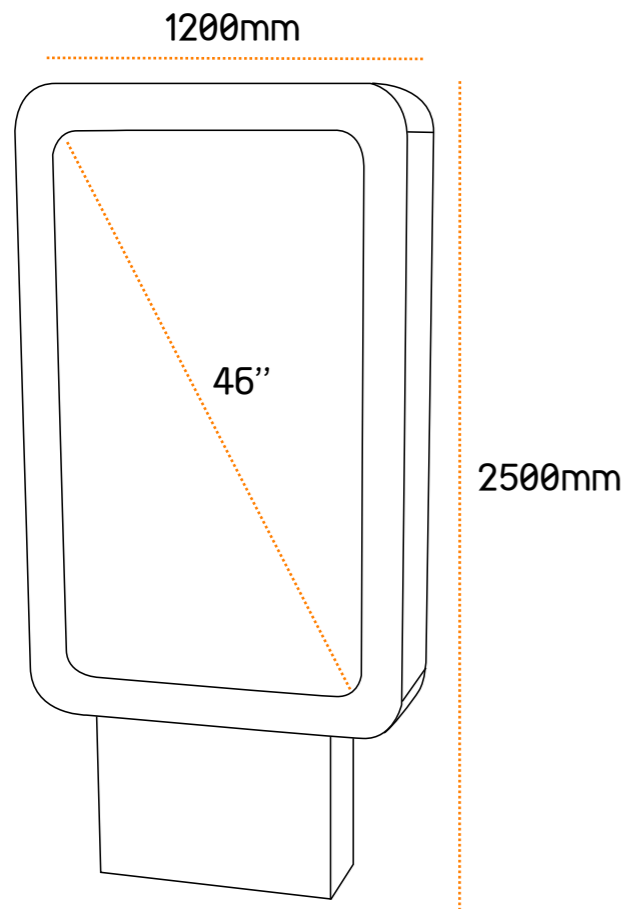
Glass Protection

FlagV3
Distance comparison and main features



FlagV3

Kiosk measures



FlagV3

Technical data

Dimensions:

- 42" Display (resolution: 1920x 1080 Pixel)
- H2500 W1200 D350

Weight:

150 kg

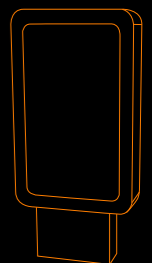
Configuration:

- Interactivity with dimension
- Stainless steel AISI304 or painted steel (RAL Colors)
- Steel plate of 1,5mm to 2,5mm
- 42" display
- Integrated speakers

Optional:

- 46" to 108" display
- Atom or Dual Core PC computer
- Microsoft Windows 7 Professional
- Ykiosk software package
- Touch screen (SAW - antivandalism)
- Wireless networking - WLAN
- Bluetooth functionality
- Webcam
- 2 side displays

• Other components can be integrated changing kiosk dimensions:
ticket printer, coin validator, bill validator, card readers, antivandalic
keyboard, proximity sensor, etc.



NCOM | innovative solutions

This document is provided only for information purposes. The presented information is subject to change without prior notice, given the constant evolution of content. NCOM is not responsible for any errors or omissions in this document, based on the information it contains, as a result of its publication.



NCOM Equipments | innovative solutions | Bucuresti Ion Roata nr 9 et 5 | tel: +4 0769 06 06 15 | +4 0721 33 52 04 | Romania
www.ncom.ro | office@ncom.ro